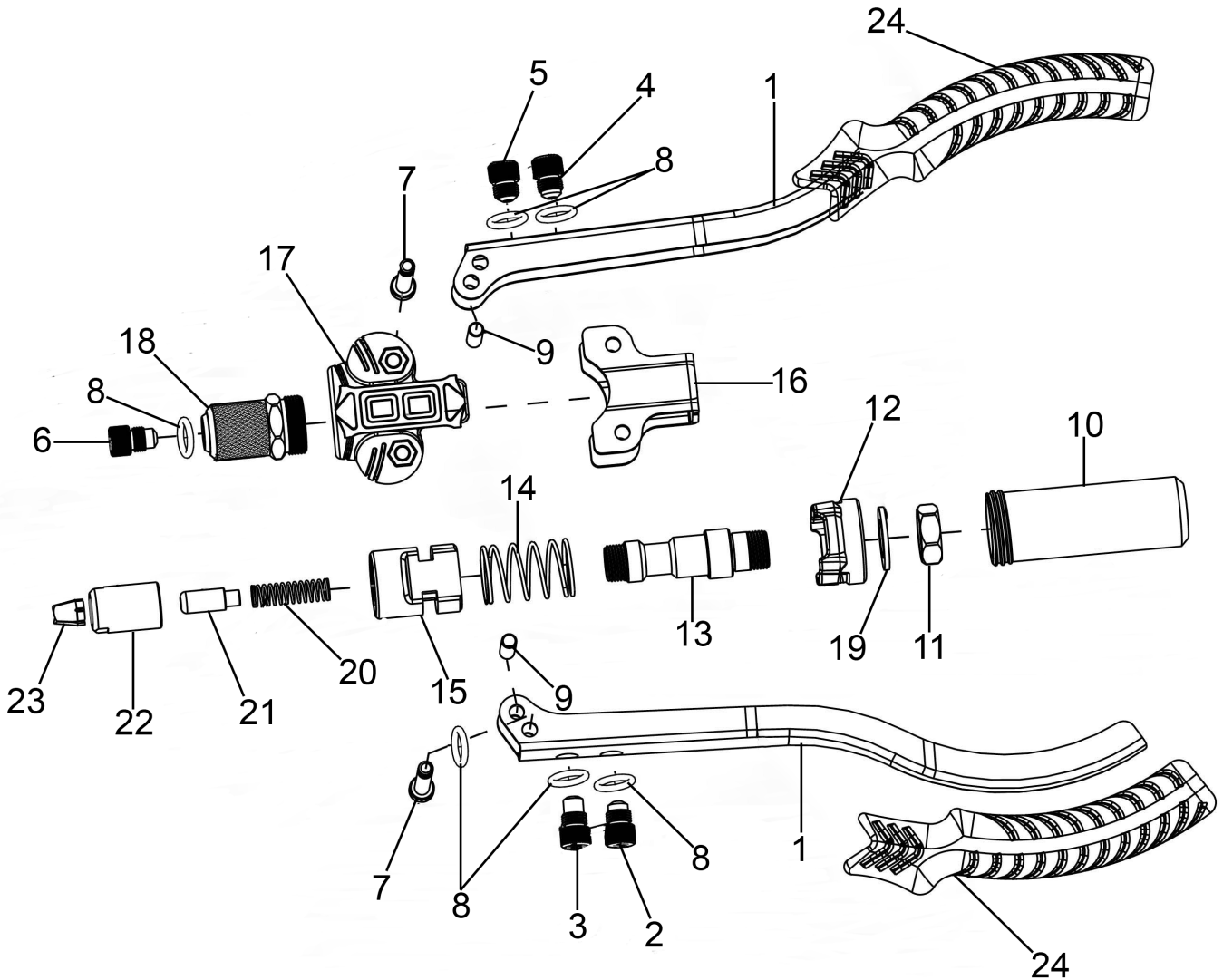




Parts Information:
Compact Riveter with Collection Bowl
Heavy-Duty
Model No: AK3982.V2



Item	Part No.	Description	Qty
1	AK3982.V2-01	Handle	2
2	AK3982.V2-02	Guide Nozzle 2.4mm	1
3	AK3982.V2-03	Guide Nozzle 3.2mm	1
4	AK3982.V2-04	Guide Nozzle 4.0mm	1
5	AK3982.V2-05	Guide Nozzle 4.8mm	1
6	AK3982.V2-06	Guide Nozzle 6.4mm	1
7	AK3982.V2-07	Handle Screw	2
8	AK3982.V2-08	O-ring 9.90 x 7.45 x 1.23	6
9	AK3982.V2-09	Handle Pin 6 x 24mm	2
10	AK3982.V2-10	Collecting Bottle	1
11	AK3982.V2-11	Centre Rod Nut	1
12	AK3982.V2-12	Collecting Bottle Holder	1

Item	Part No.	Description	Qty
13	AK3982.V2-13	Centre Rod	1
14	AK3982.V2-14	Centre Rod Spring	1
15	AK3982.V2-15	Seat	1
16	AK3982.V2-16	Body	1
17	AK3982.V2-17	Plastic Body	1
18	AK3982.V2-18	Jaw Sleeve	1
19	AK3982.V2-19	Flat Washer M16	1
20	AK3982.V2-20	Jaw Pusher Spring	1
21	AK3982.V2-21	Jaw Pusher	1
22	AK3982.V2-22	Jaw Seat	1
23	AK3982.V2-23	Jaw (Set of 3)	1
24	AK3982.V2-24	Handle Sleeve	2

NOTE: It is our policy to continually improve products and as such we reserve the right to alter data, specifications and component parts without prior notice. There may be alternative versions of this product, please contact us should you require this information.

IMPORTANT: No liability is accepted for incorrect use of product. Spare parts must be fitted by a competent person

WARRANTY: Guarantee is 12 months from purchase date, proof of which will be required for any claim.

Sealey Group, Kempson Way, Suffolk Business Park, Bury St Edmunds, Suffolk. IP32 7AR



01284 757500



sales@sealey.co.uk



www.sealey.co.uk